

# STRAIGHT THROUGH DIAPHRAGM VALVES - TL SERIES - Ø 1"



### FEATURES

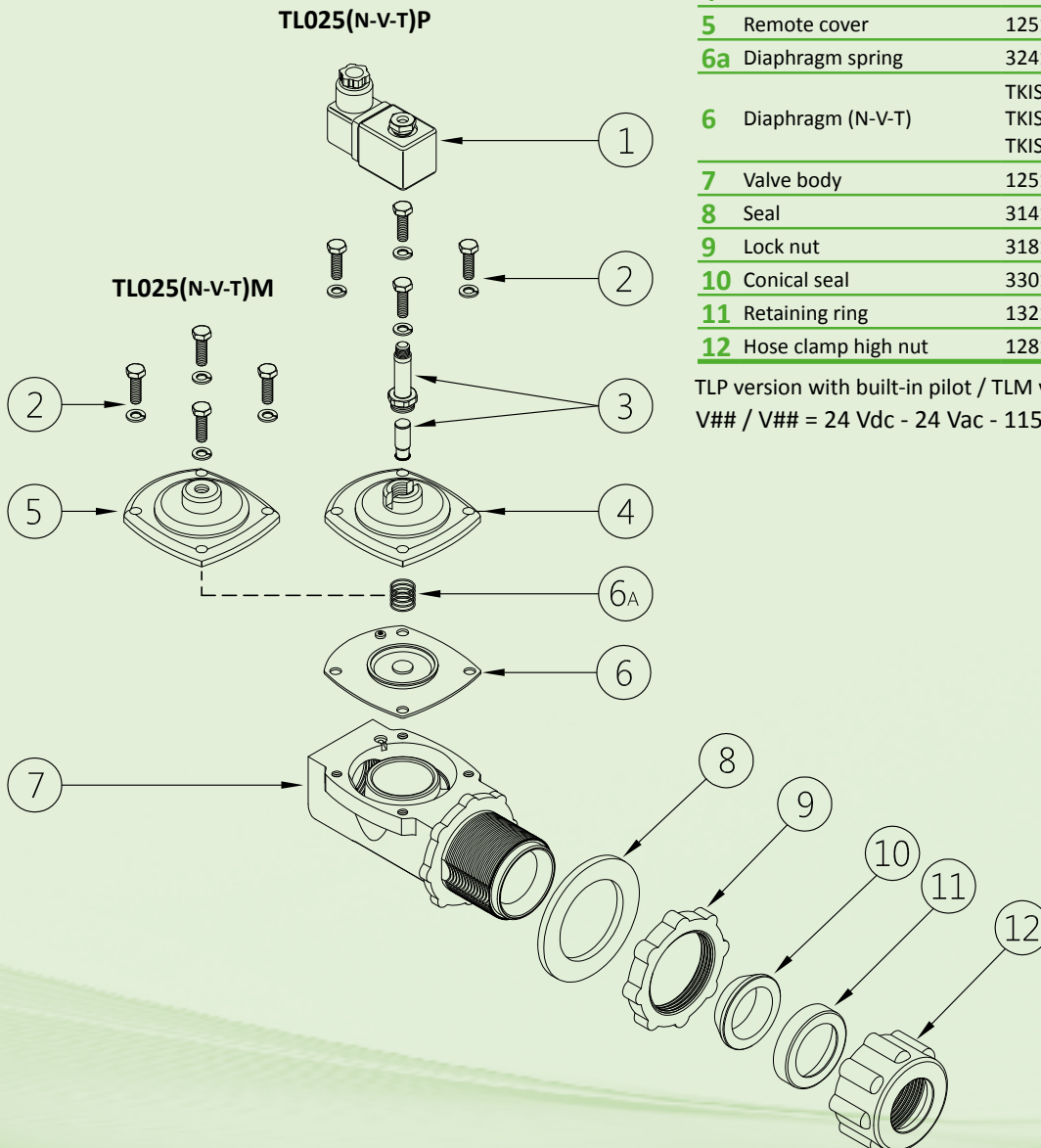
|                             |                                |
|-----------------------------|--------------------------------|
| Fluids                      | Non-lubricated filtered air    |
| Operating temperature       | Neoprene diaphragm -20°C +80°C |
|                             | Viton diaphragm -20°C +200°C   |
|                             | Low T. diaphragm -40°C; +80°C  |
| Operating pressure          | between 0.5 and 7.5 bar        |
| Body and cover              | Die-cast aluminium             |
| Pilot core                  | Stainless steel                |
| Screws and bolts            | Stainless steel                |
| Coil insulation             | Class H                        |
| Connector                   | PG 9 EN175301-803              |
| Connector + coil protection | IP65 EN60529                   |
| Standard voltage            | 24V/50-60Hz (±10%) 19VA        |
|                             | 115V/50-60Hz (±10%) 19VA       |
|                             | 230V/50-60Hz (±10%) 19VA       |
|                             | 24VDC (± 10%) 18 Watt          |

### DESCRIPTION

### TL025(N-V-T)P / TL025(N-V-T)M

|           |                     |  |
|-----------|---------------------|--|
| <b>1</b>  | Coil - Connector    | BH10 V## / V##   |
| <b>2</b>  | Screws - Washers    | TKITVTE06X20X4   |
| <b>3</b>  | Pilot unit          | 1331080  |
| <b>4</b>  | Pilot cover         | 1251750  |
| <b>5</b>  | Remote cover        | 1251770  |
| <b>6a</b> | Diaphragm spring    | 3241002  |
| <b>6</b>  | Diaphragm (N-V-T)   | TKISM025N Neoprene<br>TKISM025V Viton<br>TKISM025T Low temperature |
| <b>7</b>  | Valve body          | 1251250  |
| <b>8</b>  | Seal                | 3141702  |
| <b>9</b>  | Lock nut            | 3181036  |
| <b>10</b> | Conical seal        | 3301013  |
| <b>11</b> | Retaining ring      | 1321010  |
| <b>12</b> | Hose clamp high nut | 1281045  |

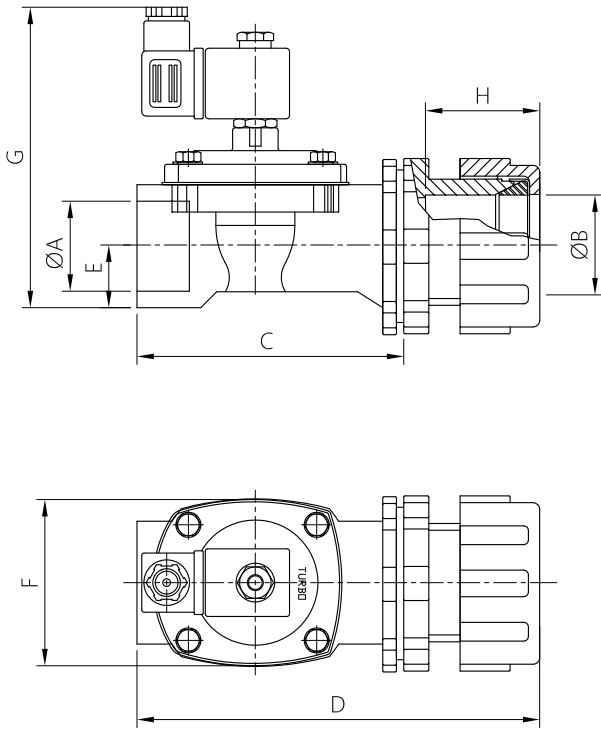
TLP version with built-in pilot / TLM version with remote pilot  
V## / V## = 24 Vdc - 24 Vac - 115 Vac - 230 Vac



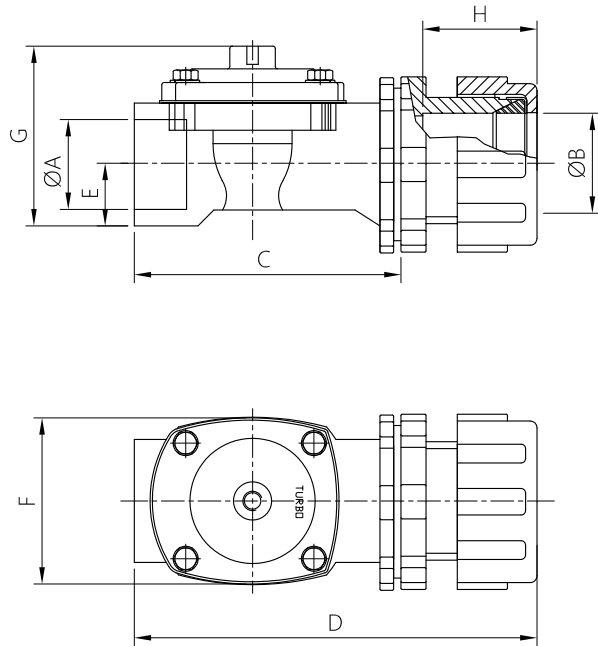
# TL SERIES - Ø 1" - OVERALL DIMENSIONS

## TLP/TLM OUTLET WITH QUICK CONNECTION

TL025(N-V-T)P



TL025(N-V-T)M



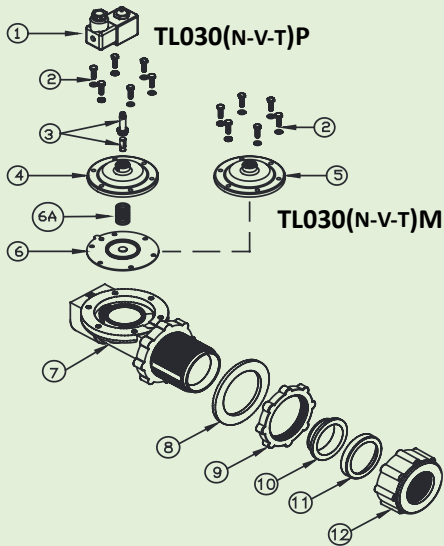
| MODEL         | Ø A  | Ø B | Ø C | Ø D | Ø E | F  | G   | M    | Weight (kg) |
|---------------|------|-----|-----|-----|-----|----|-----|------|-------------|
| TL025(N-V-T)P | 1 ¼" | 1"  | 114 | 176 | 27  | 74 | 132 | 49.5 | 1.2         |
| TL025(N-V-T)M | 1 ¼" | 1"  | 114 | 176 | 27  | 79 | 74  | 49.5 | 1           |

# STRAIGHT THROUGH DIAPHRAGM VALVES - TL SERIES - Ø 1½"



### FEATURES

|                             |                                |
|-----------------------------|--------------------------------|
| Fluids                      | Non-lubricated filtered air    |
| Operating temperature       | Neoprene diaphragm -20°C +80°C |
|                             | Viton diaphragm -20°C +200°C   |
|                             | Low T. diaphragm -40°C; +80°C  |
| Operating pressure          | between 0.5 and 7.5 bar        |
| Body and cover              | Die-cast aluminium             |
| Pilot core                  | Stainless steel                |
| Screws and bolts            | Stainless steel                |
| Coil insulation             | Class H                        |
| Connector                   | PG 9 EN175301-803              |
| Connector + coil protection | IP65 EN60529                   |
| Standard voltage            | 24V/50-60Hz (±10%) 19VA        |
|                             | 115V/50-60Hz (±10%) 19VA       |
|                             | 230V/50-60Hz (±10%) 19VA       |
|                             | 24VDC (± 10%) 18 Watt          |



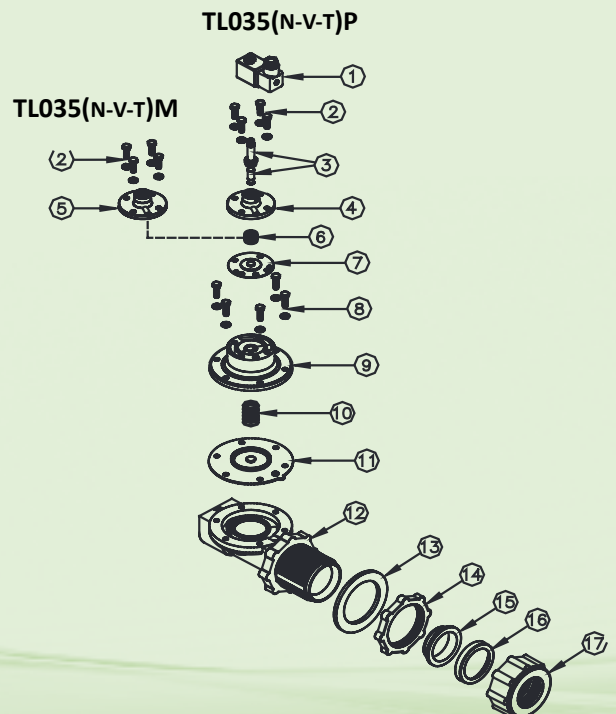
| DESCRIPTION                   | TL035(N-V-T)PWE / TL035(N-V-T)MWE                                  |
|-------------------------------|--|
| 1 Coil - Connector            | BH10 V## / V##   |
| 2 Screws - Washers            | TKITVTE06X20X4   |
| 3 Pilot unit                  | 1331080  |
| 4 Pilot cover                 | 1251720  |
| 5 Remote cover                | 1251740  |
| 6 Diaphragm spring            | 3241006  |
| 7 Secondary diaphragm (N-V-T) | TKISM010N Neoprene<br>TKISM010V Viton<br>TKISM010T Low temperature |
| 8 Screws - Washers            | TKITVTE06X20X6   |
| 9 Cover                       | 1251810  |
| 10 Diaphragm spring           | 3241018  |
| 11 Primary Diaphragm (N-V-T)  | TKISM035N Neoprene<br>TKISM035V Viton<br>TKISM035T Low temperature |
| 12 Valve body                 | 1251330  |
| 13 Seal                       | 3141706  |
| 14 Lock nut                   | 3181032  |
| 15 Conical seal               | 3301017  |
| 16 Retaining ring             | 1321012  |
| 17 Hose clamp high nut        | 1281050  |

TLP version with built-in pilot / TLM version with remote pilot  
V## / V## = 24 Vdc - 24 Vac - 115 Vac - 230 Vac

### DESCRIPTION

| DESCRIPTION            | TL030(N-V-T)P / TL030(N-V-T)M                                      |
|------------------------|--|
| 1 Coil - Connector     | BH10 V## / V##   |
| 2 Screws - Washers     | TKITVTE06X20X6   |
| 3 Pilot unit           | 1331080  |
| 4 Pilot cover          | 1251802  |
| 5 Remote cover         | 1251805  |
| 6a Diaphragm spring    | 3241018  |
| 6 Diaphragm (N-V-T)    | TKISM030N Neoprene<br>TKISM030V Viton<br>TKISM030T Low temperature |
| 7 Valve body           | 1251330  |
| 8 Seal                 | 3141706  |
| 9 Lock nut             | 3181032  |
| 10 Conical seal        | 3301017  |
| 11 Retaining ring      | 1321012  |
| 12 Hose clamp high nut | 1281050  |

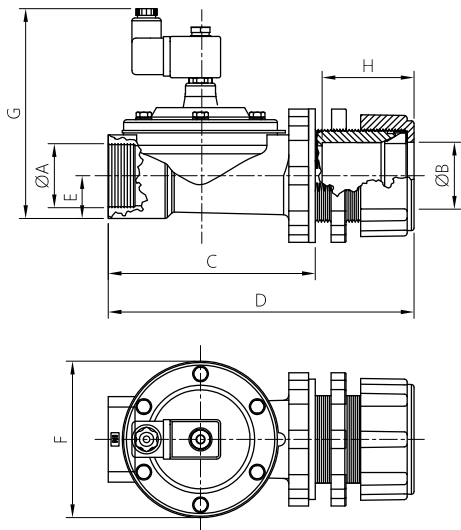
TLP version with built-in pilot / TLM version with remote pilot  
V## / V## = 24 Vdc - 24 Vac - 115 Vac - 230 Vac



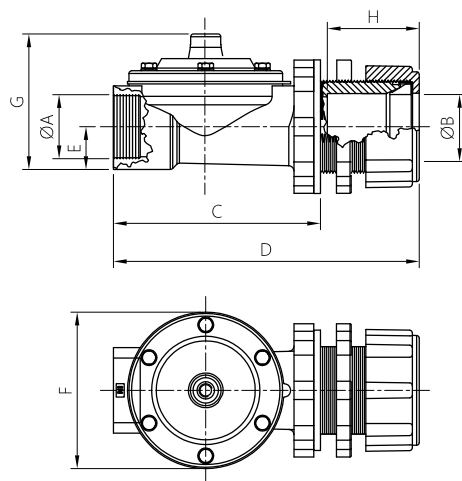
# TL SERIES - Ø 1½" - OVERALL DIMENSIONS

**DIAPHRAGM VALVES  
STRAIGHT THROUGH**

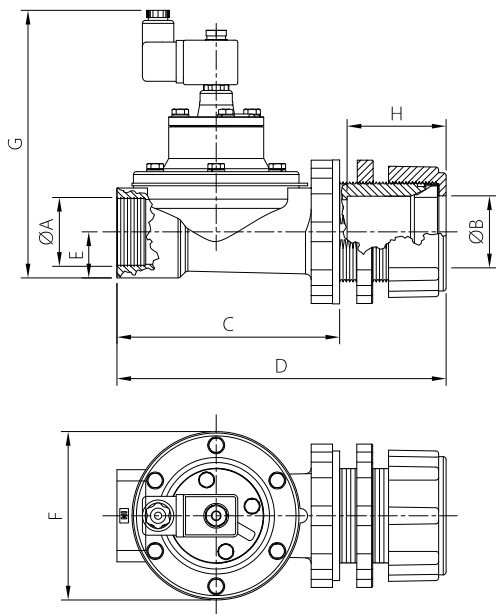
**TL030(N-V-T)P**



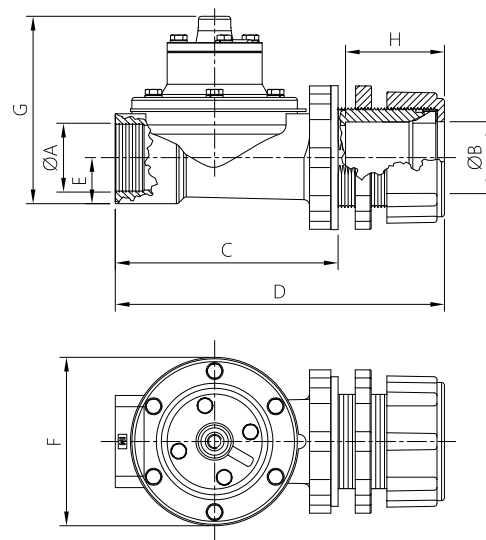
**TL030(N-V-T)M**



**TL035(N-V-T)P**



**TL035(N-V-T)M**



| MODEL         | ØA | ØB   | C   | D   | E  | F   | G   | H    | Weight (kg) |
|---------------|----|------|-----|-----|----|-----|-----|------|-------------|
| TL030(N-V-T)P | 2" | 1 ½" | 153 | 228 | 36 | 115 | 148 | 67.5 | 2.1         |
| TL030(N-V-T)M | 2" | 1 ½" | 153 | 228 | 36 | 115 | 93  | 67.5 | 1.9         |
| TL035(N-V-T)P | 2" | 1 ½" | 153 | 228 | 36 | 115 | 186 | 67.5 | 2.3         |
| TL035(N-V-T)M | 2" | 1 ½" | 153 | 228 | 36 | 115 | 131 | 67.5 | 2.1         |